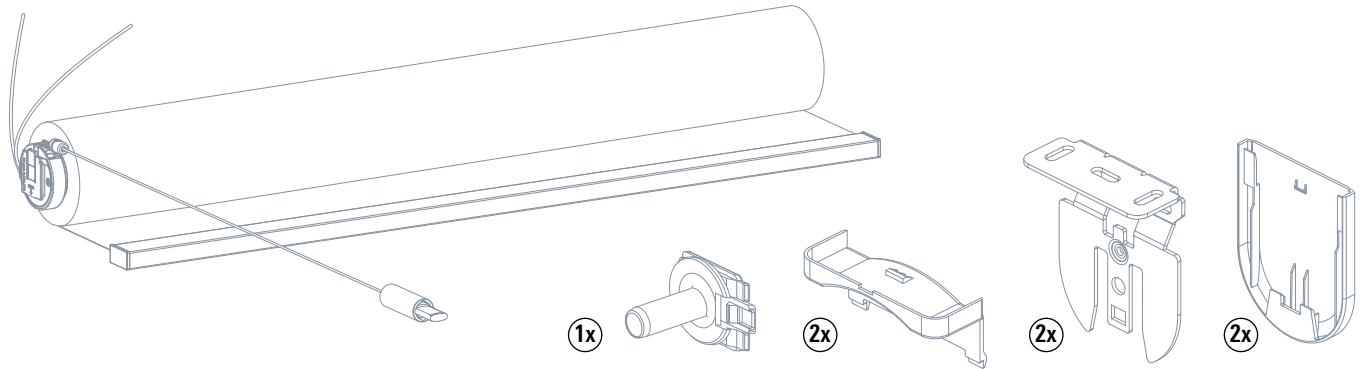




Brackets

Read the instructions carefully before assembling and using the product.
The installation can also be carried out by non-professionals. For indoor use only.

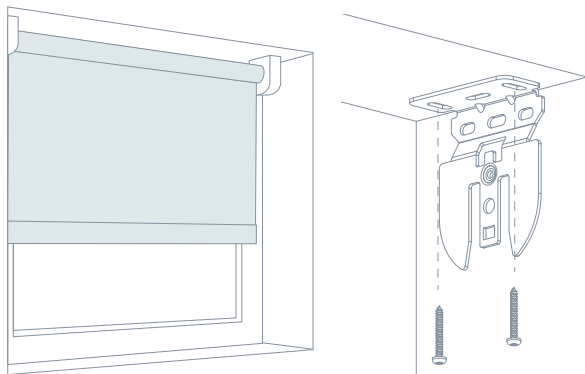
In the box



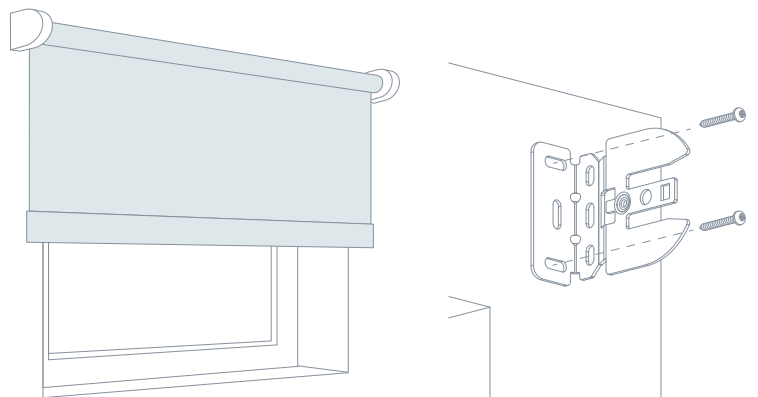
Mount brackets

1

Inside mount

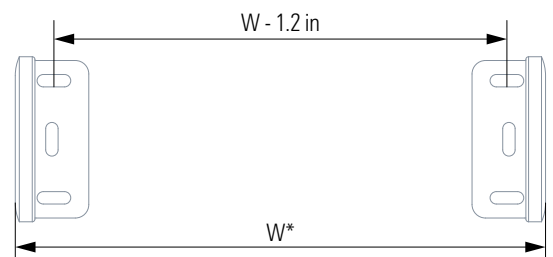
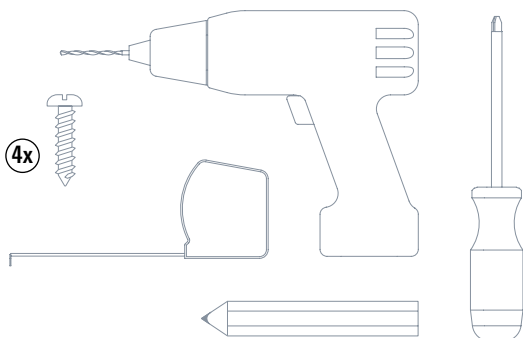


Outside mount



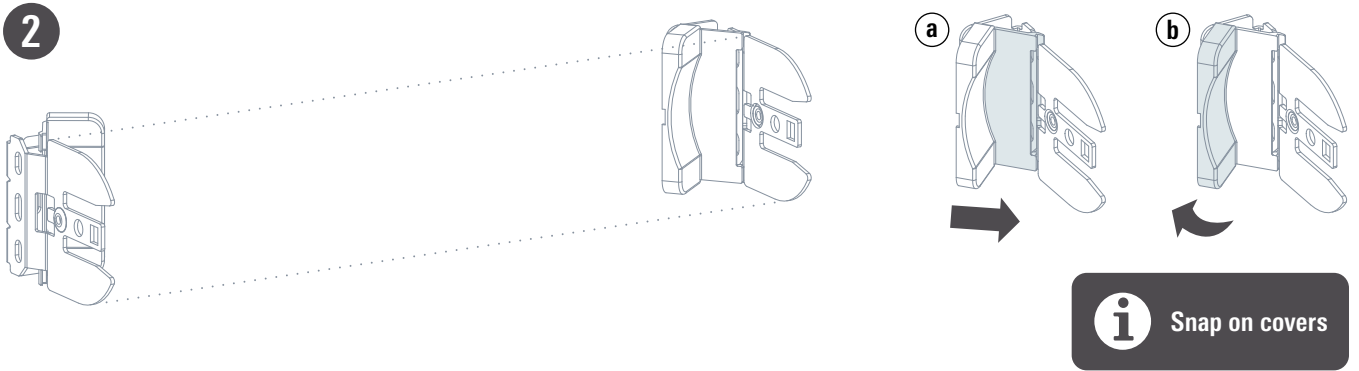
i Mount the bracket using suitable fastening material

Tools

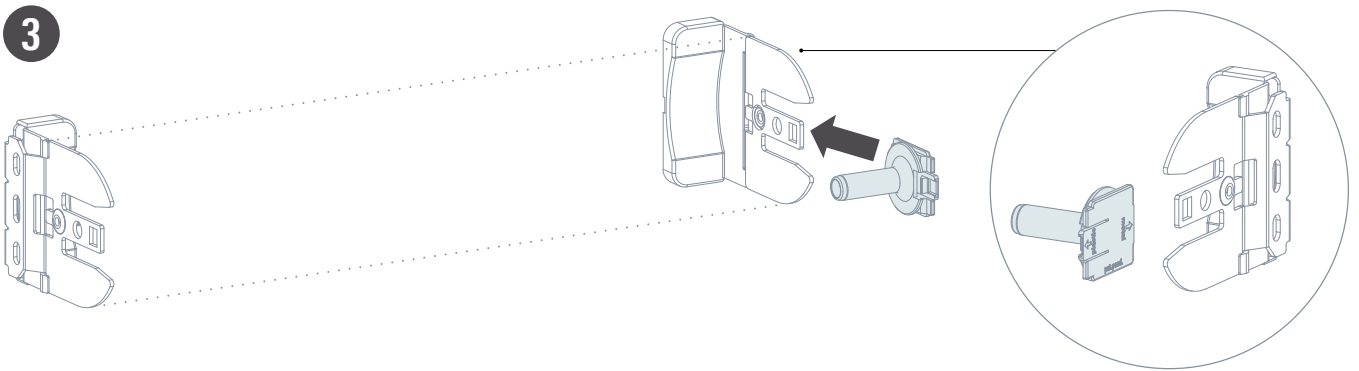


*W 'Inside mount' = ordered Width - 0.4 in
*W 'Outside mount' = ordered Width

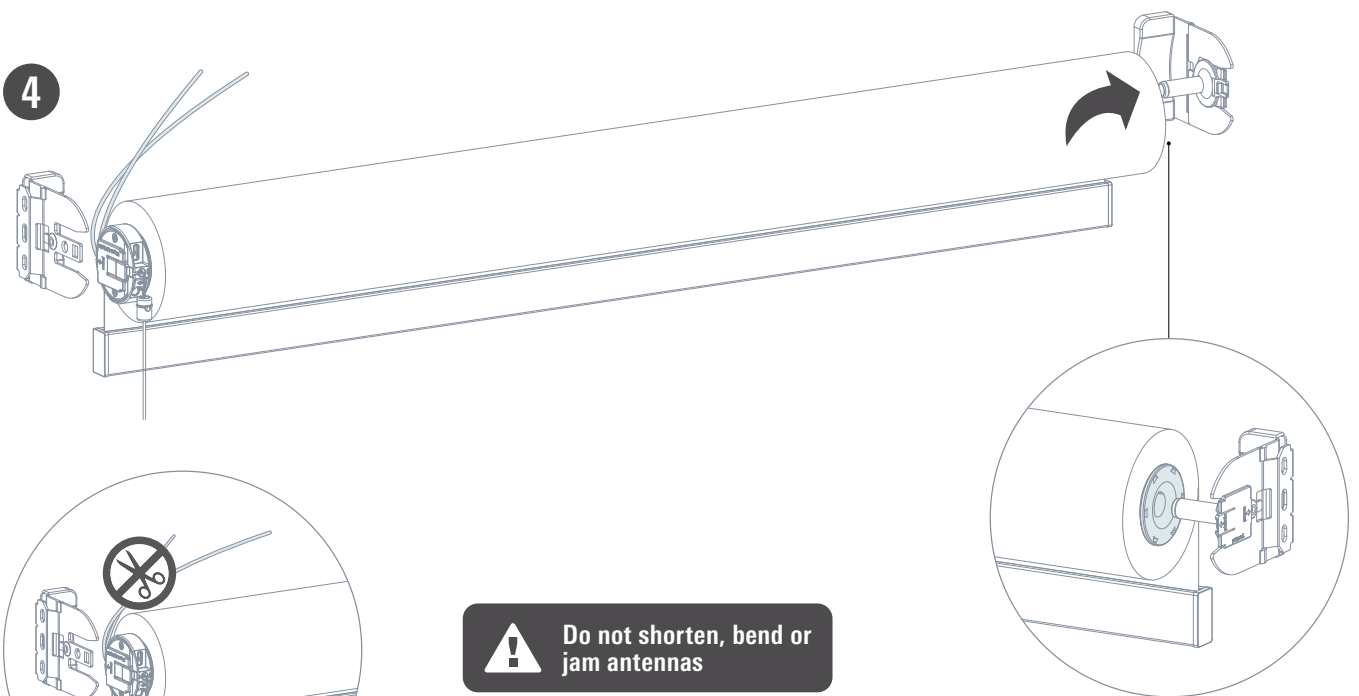
2



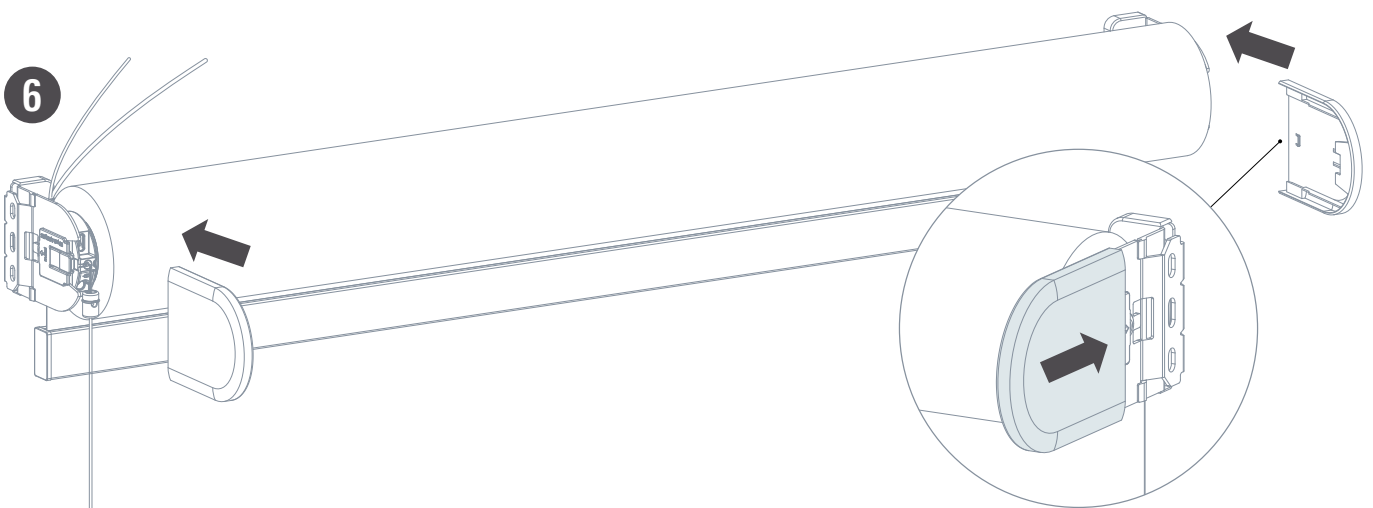
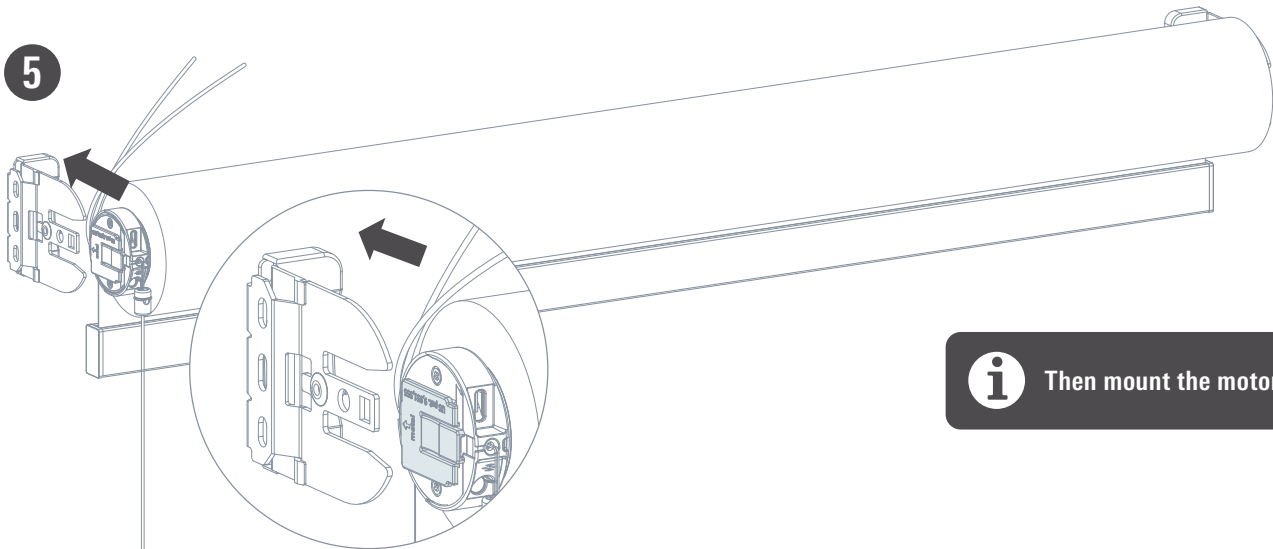
3



4



i Mount the pin side first, using suitable fastening material



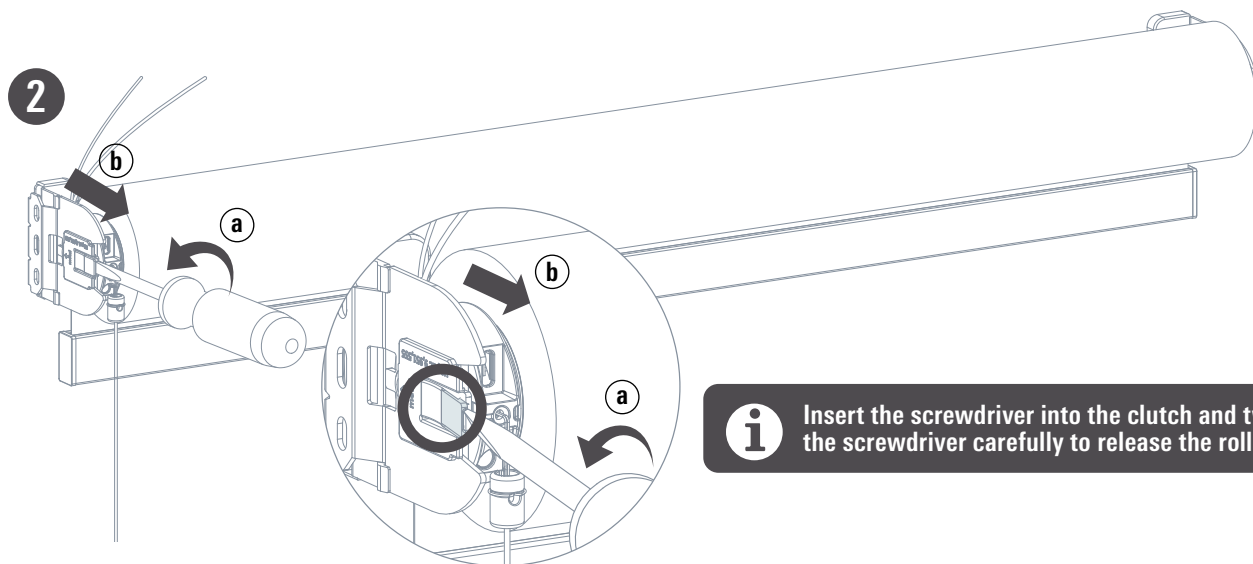
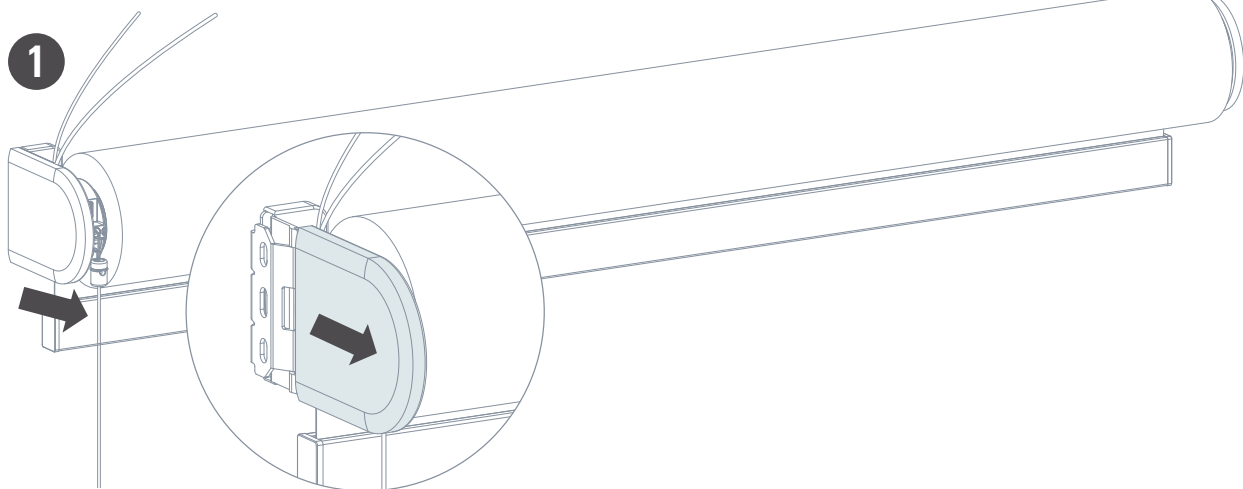
⚠ Warning

- Young children can strangle themselves with the loop of pull cords, chains and tapes, and cords that operate window coverings.
- To avoid strangulation and entanglement, keep cords out of reach of young children.

- Cords may ensnare a child's neck.
- Move beds, cots and furniture away from window covering cords.
- Do not tie cords together.
- Make sure cords do not twist together and form a loop.



Removal



Insert the screwdriver into the clutch and twist the screwdriver carefully to release the roller blind